



B1 Premium Bluetooth® Music Receiver

Quickstart Guide

Welcome to the Audioengine family and congratulations on your purchase of the B1 Premium Bluetooth® Music Receiver.

Audioengine is dedicated to bringing you the highest-quality listening experience possible and the B1 was designed with the same attention to detail and operational simplicity as all our products.

We wish to sincerely thank our customers and the entire Audioengine team for the inspiration to create yet another great product.

What's in the box

- B1 Receiver
- RCA audio cable
- Power supply with detachable power cable
- Microfiber product bag
- Quickstart guide

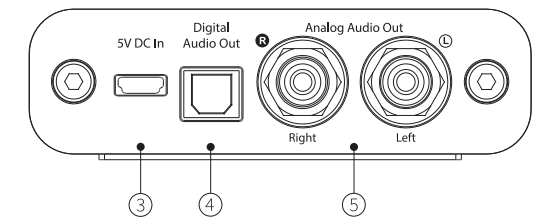
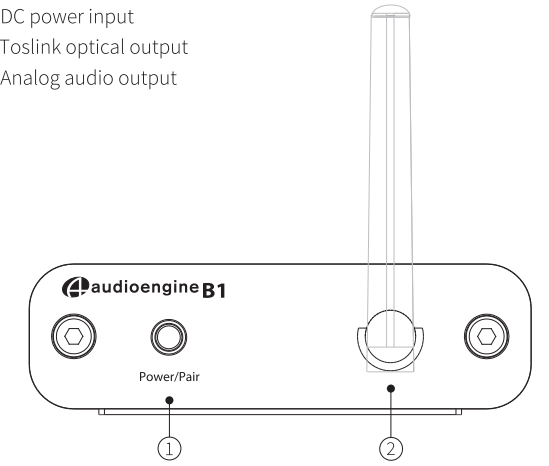
Features

- Easy setup, connects in seconds
- Extended-range wireless aptX-HD Bluetooth
- Connects to any music system
- Analog and optical outputs
- Bluetooth aptX HD indicator

Overview

The B1 streams high-quality audio from your phone, computer, or tablet to any music system or powered speakers. B1 easily integrates into your existing system and will wirelessly transfer music from your library or any streaming app. Experience stunning audio quality with aptX® HD and built-in 24-bit upsampling DAC.

- ① Bluetooth and power indicator
- ② Antenna
- ③ DC power input
- ④ Toslink optical output
- ⑤ Analog audio output



Quick Setup

The following instructions will help you connect B1 to your music system and pair with your phone, tablet, or computer.

- 1 Connect audio cables from the B1 rear panel to your music system audio input.
- 2 Connect the power adapter to B1 with the included power cable and plug the power adapter into an AC outlet.

B1 will automatically go into pair mode and the Pair button on the B1 front panel will start flashing.

- 3 On your device, turn on Bluetooth and go to Bluetooth preferences.

Select "Audioengine B1" to pair and connect. The Pair indicator on the B1 front panel should be solid.

- 4 Play your music and adjust volume levels as desired.

Repeat Steps 3 thru 5 to add additional devices. B1 can connect to only one device at a time, however it will remember up to six devices.

To disconnect B1 from a paired device and put B1 back into pair mode, press and hold the Pair button until the indicator begins flashing.

Troubleshooting Tips

B1 is connected but the Pair button does not light up. Verify that the B1 power adapter is connected to the B1 and plugged into a functioning AC outlet.

My device will not pair with B1. Check that Bluetooth on the device is turned on. Confirm that the B1 Pair button is blinking (in pair/discovery mode). Make sure your device is within range of B1.

The B1 Pair light is solid, but I cannot connect my device. Make sure no other devices are connected. If so, either disconnect or turn off Bluetooth on the other devices or press and hold the B1 Pair button until it flashes, then try connecting. Try unpairing and re-pairing your device to the B1. Cycle B1 power by disconnecting and reconnecting the power cable.

B1 pair light is solid and my device is connected but no audio output. Confirm that the B1 output is correctly connected to your audio system. Make sure the audio source is correctly selected on your music system (analog audio or digital optical input). Check the volume levels on your computer OS and player app. Try unpairing and re-pairing your device to the B1. Cycle B1 power by disconnecting and reconnecting the power cable.

Troubleshooting Tips (cont'd)

The volume output level from B1 seems low. Check the volume levels on your computer OS and player app.

Also check the volume level on your powered speakers or stereo system.

The sound quality is poor and/or audio is cutting out. Move B1 or your device away from phones, routers, microwave ovens, or other Bluetooth devices. Try moving your device closer to B1. Try another location. Turn off your device's Wi-Fi. Try unpairing and re-pairing your device to the B1. Unplug power from B1 and power back on. Check that your device's OS is updated to the latest version.

Only one channel plays music. Check the cables between B1 and your audio system. Check your music player app and/or OS audio controls to ensure that the audio balance is centered.

B1 will sound great out of the box and will get better over time. However, give it 40 to 50 hours break-in time before doing any critical listening.

Extra tips, troubleshooting, FAQs and updates to this guide can be found on our website:

audioengine.com/support-inquiry

Product returns and refunds

We sincerely hope you get as much enjoyment from our products as we've had creating them. However, should you have an issue or are not satisfied with any Audioengine product for any reason contact the reseller where you purchased or contact us directly:

audioengine.com/support-inquiry

Warranty information

All Audioengine products have a 3-year Limited Warranty on parts and labor from the date of purchase. The Limited Warranty applies only to Audioengine products sold in the United States. Your warranty is automatic, so there is no need to register. For Limited Warranty coverage elsewhere, please contact the Audioengine dealer, reseller, or distributor in your country or region.

What is covered

All defective parts or faulty workmanship.

What is not covered

The Audioengine Limited Warranty does not cover damage caused by accident, misuse, abuse, neglect, excessive moisture, lightning, power surges, other acts of nature, unauthorized product modification or repairs, or failure to follow the instructions outlined in this guide.

What we will do

We will repair or replace any defective parts, at our option, within a reasonable amount of time and free of charge any time during the warranty period. After service, we will be responsible for shipping the product back to a US address at our expense.

What we ask from you

You will be responsible for shipping charges to Audioengine or to an authorized dealer. We recommend you keep the original shipping materials to prevent shipping damage if service is needed. Audioengine cannot be responsible for any damages incurred during shipping due to poor packing, so please pack well and make sure to insure your shipment.

How to obtain Audioengine warranty service

If you have any questions or feel you may need service, contact the reseller where you purchased your product. You can also visit our support portal:

audioengine.com/support-inquiry

And if you don't find an answer to your question you can easily contact us by opening a support ticket.

Exclusive remedy

This Limited Warranty is fully transferable provided the current owner furnishes the proof of purchase and that the serial number on the product is intact. THE MAXIMUM LIABILITY OF AUDIOENGINE SHALL NOT EXCEED THE ACTUAL PURCHASE PRICE PAID BY YOU FOR THE PRODUCT. IN NO EVENT SHALL AUDIOENGINE BE LIABLE FOR SPECIAL, INCIDENTAL, CONSEQUENTIAL OR INDIRECT DAMAGES.

FCC Part 15 Notice

This device complies with Part 15 of the FCC Rules. Operation is subject to the following two conditions:

- 1) This device may not cause harmful interference.*
- 2) This device must accept any interference received, including interference that may cause undesired operation.*

Changes or modifications not expressly approved by the party responsible for compliance could void the user's authority to operate the equipment.

This equipment has been tested and found to comply with the limits for a Class B digital device, pursuant to Part 15 of the FCC Rules. These limits are designed to provide reasonable protection against harmful interference in a residential installation.

This equipment generates, uses, and can radiate radio frequency energy and, if not installed and used in accordance with the instructions, may cause harmful interference to radio communications. However, there is no guarantee that interference will not occur in a particular installation.

If this equipment does cause harmful interference to radio or television reception, which can be determined by turning the equipment off and on, the user is encouraged to try to correct the interference by one or more of the following measures:

- Reorient or relocate the receiving antenna.*
- Increase the separation between the equipment and receiver.*
- Connect the equipment into an outlet on a circuit different from that to which the receiver is connected.*
- Consult the dealer or an experienced technician for help.*

FCC Radiation Exposure Statement

This equipment complies with FCC radiation exposure limits set forth for an uncontrolled environment. This equipment should be installed and operated with minimum distance 20cm between the radiator & your body.

Information for Users on Disposal of Old Equipment

[European Union]

This symbol indicates that the electrical and electronic equipment should not be disposed as general household waste at its end-of-life. Instead, the product should be handed over to the applicable collection point for the recycling in accordance with your national legislation.



By disposing of this product correctly, you will help to conserve the environment and human health that could otherwise be caused by inappropriate waste handling of this product. For more information about collection point and recycling of this product, please contact your household waste disposal service or the shop where you purchased the product. Penalties may be applicable for incorrect disposal of this waste, in accordance with national legislation.

[Other Countries outside the European Union]

If you wish to dispose of this product, please do so in accordance with applicable national legislation or other rules in your country for the treatment of old electrical and electronic equipment.



About Audioengine

Audioengine designs and builds innovative audio products with all your music in mind. Great sound, simple but elegant designs, high-quality materials and truly useful features are what Audioengine is about.

© 2022 Audioengine LLC. All Rights Reserved.

Audioengine and Audioengine B1 are trademarks of Audioengine.

The Bluetooth name and the Bluetooth trademarks are owned by Bluetooth SIG, Inc. and are used by Audioengine under license.

The aptX® mark and logos are registered trademarks of Qualcomm.

CE 0700

